



Parts Manual

Spray Gun

Series Master

Issue 1.1 05/09/07
Ref. NR-00004-ENG



Before starting or carrying out maintenance work on the MASTER gun, please carefully read all the technical and safety documentation included in the Manual Service. It is important to pay special attention to the information contained to see and understand the handling and conditions of use of the gun. This information is aimed at USER SAFETY and the PREVENTION OF PROBLEMS.



WARRANTY

GARRAF MAQUINARIA, S. A. (hereinafter "GAMA") provides this **LIMITED WARRANTY** (hereinafter "Warranty") to the original purchaser (hereinafter "Customer") covering this equipment and the original GAMA manufactured accessories delivered with the equipment (hereinafter "Product") against defects in material or workmanship of the Product (hereinafter "Defect" or "Defective") for a period of two (2) years from the date of first purchase as shown on the original GAMA invoice (hereinafter "Warranty Period").

If during the Warranty Period under normal use, the Product is suspected by Customer to be Defective in material or workmanship, it is Customer's responsibility to contact GAMA and return the Product to GAMA as directed by GAMA, freight prepaid. If GAMA determines that the Product is Defective and that such Defect is covered by this Warranty, GAMA will credit Customer for the reasonable freight charges incurred by Customer in returning the Defective Product to GAMA, and GAMA (or its authorized agent) will, at GAMA's option, repair or replace the Product, subject to the following:

Original Invoice: The original invoice must be kept as proof of the date of first sale and the Product serial number. The Warranty does not cover any Product if the Original Invoice appears to have been modified or altered, or when the serial number on the Product appears to have been altered or defaced.

Product Maintenance: It is the Customer's responsibility to maintain the Product properly. See your maintenance schedule and owner's manual for details. The Warranty does not cover an improperly maintained Product.

Non-GAMA Components and Accessories: Non-GAMA manufactured components and accessories that are used in the operation of the Product are not covered by this Warranty. Such components and accessories shall be subject to the warranty offered to the Customer, if any, by the original manufacturer of such component or accessory.

Other Warranty Exclusions: The Warranty does not cover any Product that GAMA determines has been damaged or fails to operate properly due to misuse, negligence, abuse, carelessness, neglect, or accident. By way of example only, this includes:

- Normal wear and tear.
- Improper or unauthorized installation, repair, alteration, adjustment or modification of the Product.
- Use of heating devices, pumping equipment, dispensers, or other parts or accessories with the Product that have not been approved or manufactured by GAMA.
- Failure to follow the operating instructions and recommendations provided by GAMA.
- Cosmetic damage.
- Fire, flood, "acts of God," or other contingencies beyond the control of GAMA.

THE WARRANTY DESCRIBED HEREIN IS THE EXCLUSIVE REMEDY FOR THE CUSTOMER AND IS IN LIEU OF ALL OTHER WARRANTIES, EXPRESS, IMPLIED, STATUTORY OR OTHERWISE, AND THE IMPLIED WARRANTIES OF MERCHANTABILITY AND FITNESS FOR A PARTICULAR PURPOSE AND ALL OTHER WARRANTIES ARE HEREBY DISCLAIMED. TO THE FULLEST EXTENT PERMITTED BY LAW, GAMA SHALL NOT BE RESPONSIBLE, WHETHER BASED IN CONTRACT, TORT (INCLUDING, WITHOUT LIMITATION, NEGLIGENCE), WARRANTY OR ANY OTHER LEGAL OR EQUITABLE GROUNDS, FOR ANY CONSEQUENTIAL, INDIRECT, INCIDENTAL, LOST PROFITS, SPECIAL, PUNITIVE OR EXEMPLARY DAMAGES, WHETHER TO PERSON OR PROPERTY, ARISING FROM OR RELATING TO THE PRODUCT, EVEN IF GAMA HAS BEEN ADVISED OF THE POSSIBILITY OF SUCH LOSSES OR DAMAGES.

Non-Warranty Service by GAMA: If GAMA determines that the suspected Defect of the Product is not covered by this Warranty, disposition of the Product will be made pursuant to the terms and conditions of GAMA's written estimate on a time and materials basis.

Continuing Warranty for Products Repaired or Replaced under Warranty: Following the repair or replacement of a Product covered by this Warranty, such Product will continue to be subject to the original Warranty for the remainder of original Warranty Period or for three (3) months from the repair or replacement date, whichever is longer.

No Rights Implied: Nothing in the sale, lease or rental of any Product by GAMA shall be construed to grant any right, interest or license in or under any patent, trademark, copyright, trade secret or other proprietary right or material owned by anyone; nor does GAMA encourage the infringement of same.

Exclusive Warranty: This writing is the final, complete, and exclusive expression of the Warranty covering the Product. Any statements made by GAMA, its employees or agents that differ from the terms of this Warranty shall have no effect. It is expressly understood that Customer's acceptance of this Warranty, by performance or otherwise, is upon and subject solely to the terms and conditions hereof, and any additional or different terms and conditions proposed or expressed by Customer or anyone, whether in writing or otherwise, are null and void unless specifically agreed to in writing by an Officer of GAMA.

FINAL ASSEMBLY

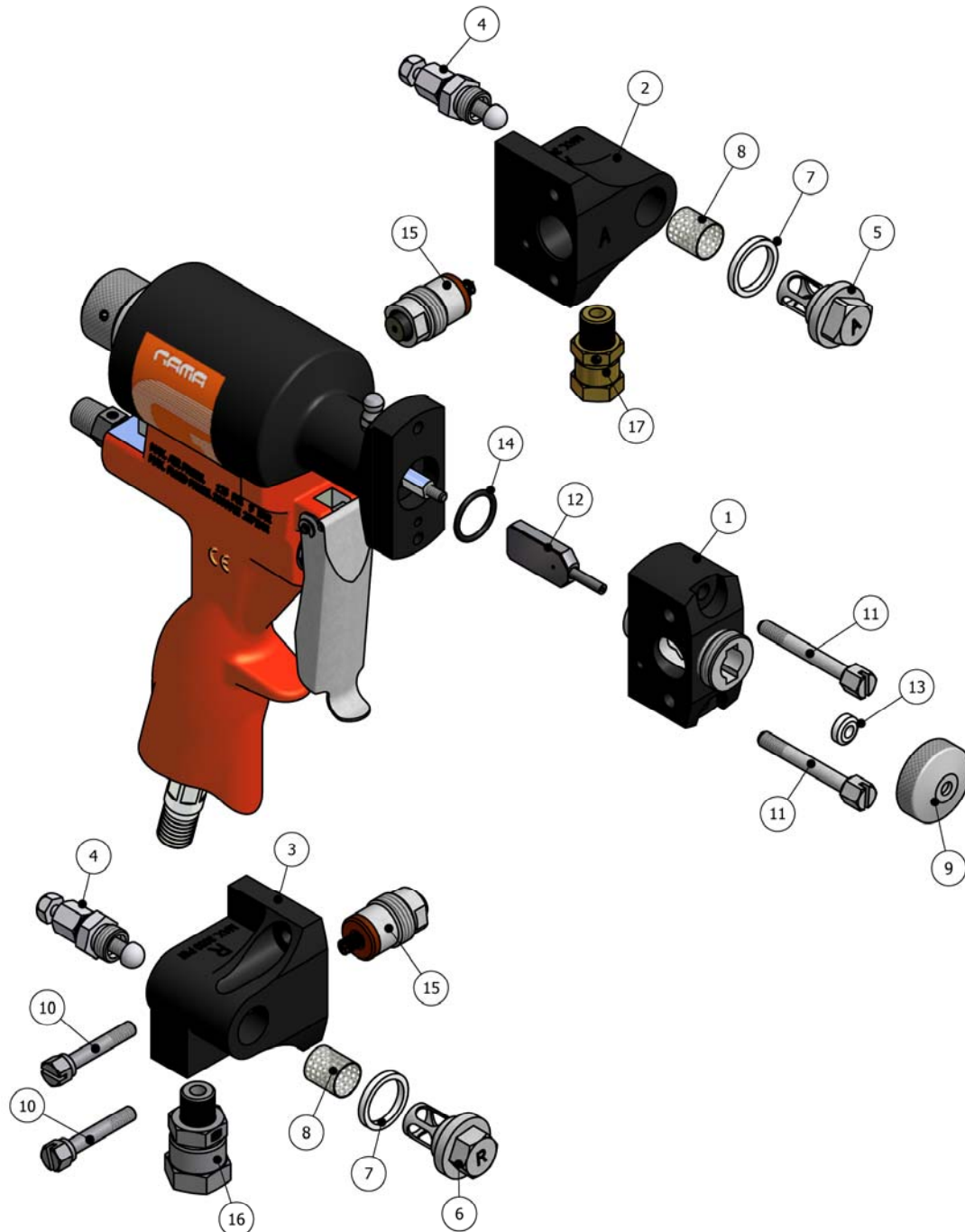


Figure 1. Final Assembly, Exploded View



Table 1. Final Assembly, Parts

Item	Description	Part Number	Qty.
1	Gun Block	GU-02004-00	1
2	A-Side Block (included item 4 and item. 17)	GU-02005-00	1
3	R-Side Block (included item 4 and item. 16)	GU-02006-00	1
4	Manual Valve Assembly	GU-02020-00	2
5	A-Screen Screw	GU-02017	1
6	R-Screen Screw	GU-02018	1
7	Screen Screw Seal	GU-02019	2
8	Screen-80 Mesh	GU-02063	2
9	Air Cap	See Table 2	1
10	Side Block Bolt	GU-02025	2
11	Gun Block Bolt	GU-02026	2
12	Mixing Chamber Assembly	See Table 2	1
13	Air Seal	See Table 2	1
14	O-ring	OR-00025	1
15	Metallic Seal Kit	GU-02031-00	2
	Plastic Seal Kit	GU-02030-00	2
16	R-Swivel Fitting	RA-00005	1
17	A-Swivel Fitting	RA-00006	1

Table 2. Round Tip Assembly, Parts

Output (Kg/min.)	Mixing Chamber Assembly	Air Cap	Air Seal
1,3 – 2,7	GU-02011-00	GU-02028	GU-02024 *
2,2 – 4	GU-02012-00	GU-02028	GU-02024 *
4,5 – 9	GU-02013-00	GU-02028	GU-02024 *
5,4 – 13,5	GU-02014-00	GU-02028	GU-02024 *
9 - 20	GU-02015-00	GU-02029	GU-02023 *
13,5 - 27	GU-02016-00	GU-02029	GU-02023 *

* Included in Mixing Chamber Assembly

PLASTIC SEAL KIT

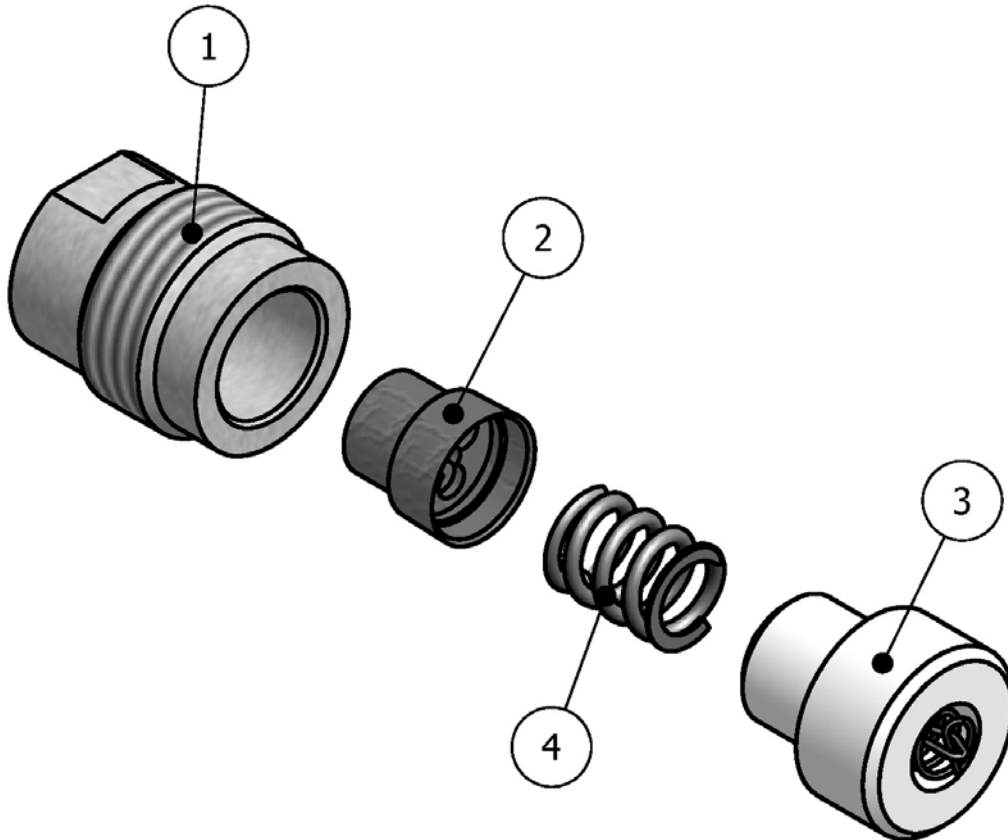


Figure 2. Plastic Seal Kit

Table 3. Plastic Seal Kit, Parts

Item	Description	Part Number	Qty.
1	Seal Assembly Insert	GU-02030-01	1
2	Side Seal	GU-02030-02	1
3	Check Valve Assembly	GU-02032-00	1
4	Spring	SP-00004	1

METALLIC SEAL KIT

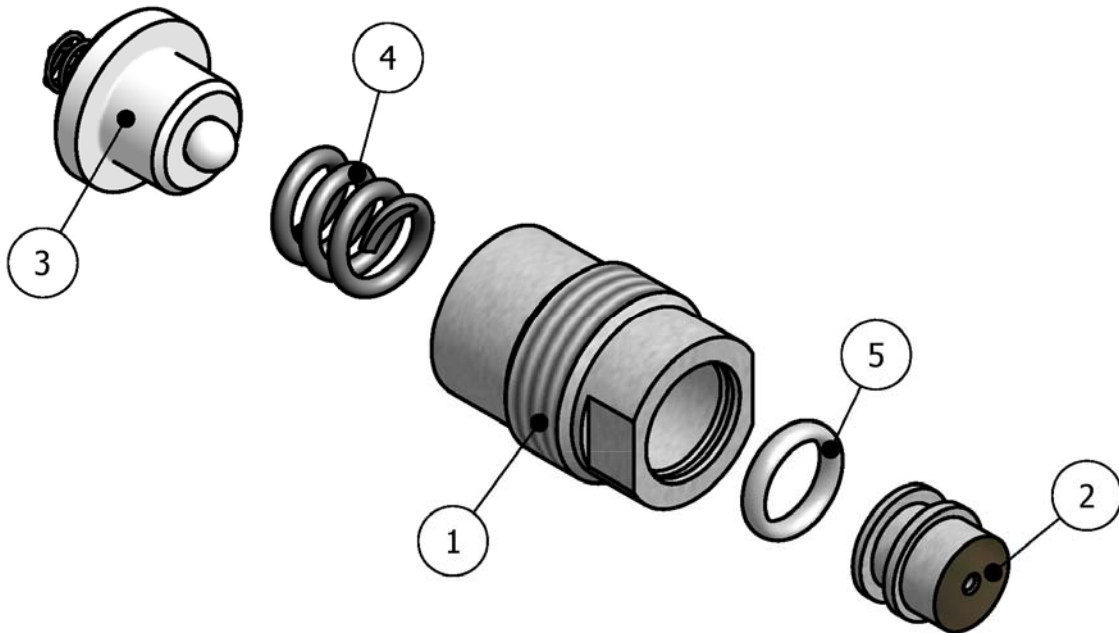


Figure 3. Metallic Seal Kit

Table 4. Metallic Seal Kit, Parts

Item	Description	Part Number	Qty.
1	Seal Assembly Insert	GU-02031-01	1
2	Side Seal	GU-02031-02	1
3	Check Valve Assembly	GU-02033-00	1
4	Spring	SP-00005	1
5	O-ring	OR-00024	1

HANDLE ASSEMBLY

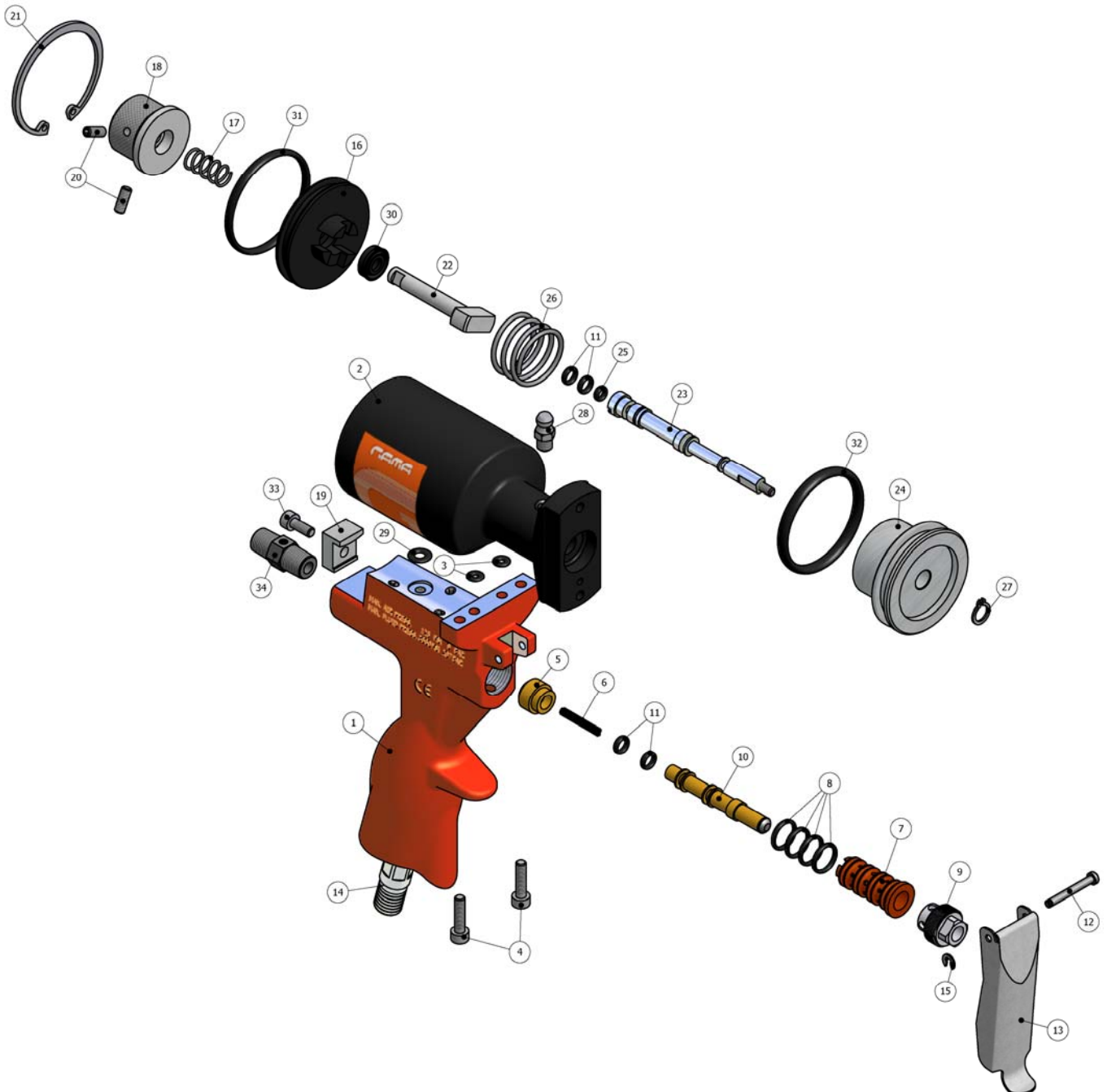


Figure 4. Handle Assembly, Exploded View



Table 5. Handle Assembly, Parts

Item	Description	Part Number	Qty.
1	Gun Handle	GU-02001	1
2	Air Cylinder	GU-02002	1
3	O-Ring	OR-00001	2
4	Socket Head Cap Screw	TN-00001	2
5	Spring Seat	GU-01027	1
6	Air Valve Spring	SP-00002	1
7	Valve Liner	GU-01056	1
8	O-Ring	OR-00003	4
9	Valve Retainer Nut	GU-01026	1
10	Valve Spool	GU-01016	1
11	O-Ring	OR-00002	4
12	Trigger Mounting	GU-01035	1
13	Spray Gun Trigger	GU-01015	1
14	Pipe Nipple	GU-01037	1
15	Retainer Ring	TN-00006	1
16	End-Cap	GU-02003	1
17	Stop Spring	SP-00008	1
18	Stop Knob	GU-02007	1
19	Cylinder Clamp	GU-02021	1
20	Socket Head Cap Screw	TN-00099	2
21	Tru arc	TN-00092	1
22	Stop Spin	GU-02008	1
23	Piston Shaft Assembly	GU-02010-00	1
24	Piston	GU-02009	1
25	O-Ring	OR-00028	1
26	Spring	SP-00007	1
27	Retainer Ring	TN-00093	1
28	Grease Fitting	TN-00096	1
29	O-Ring	OR-00024	1
30	U-Cup Seal	OR-00027	1
31	O-Ring	OR-00026	1



Parts Manual

Item	Description	Part Number	Qty.
32	O-Ring	OR-00029	1
33	Socket Head Cap Screw	TN-00002	1
34	Hex Nipple	RA-00112	1



CONTENTS

Warranty	2
Final Assembly	3
Plastic Seal Kit	5
Metallic Seal Kit	6
Handle Assembly	7
Contents	10
List of Figures	10

LIST OF FIGURES

Figure 1. Final Assembly, Exploded View	3
Figure 2. Plastic Seal Kit	5
Figure 3. Metallic Seal Kit	6
Figure 4. Handle Assembly, Exploded View	7